



BT8390-VESA400MAF

SYSTEM X™

VESA 400 INTERFACE ARMS WITH MICRO-ADJUSTMENT PARTS LIST

This pack contains 1 pair of Interface Arms

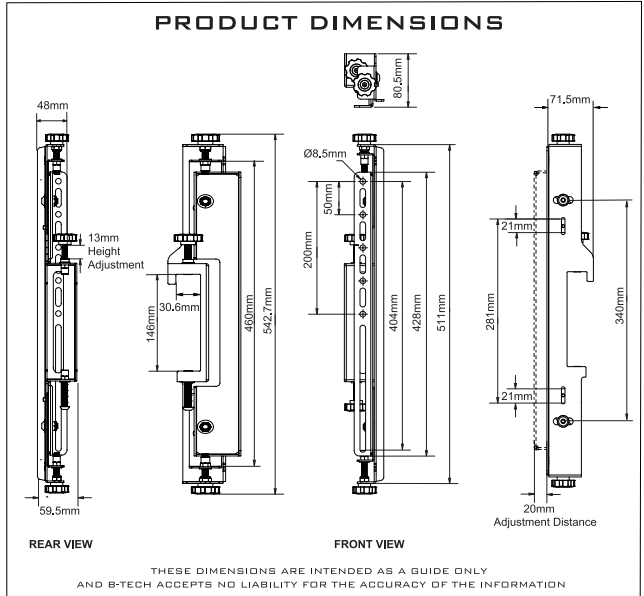
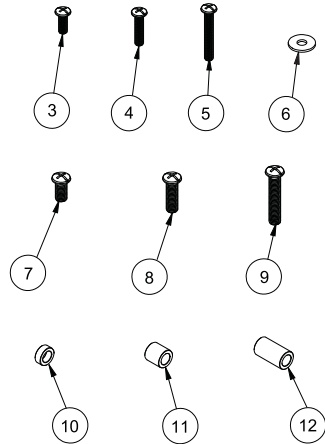
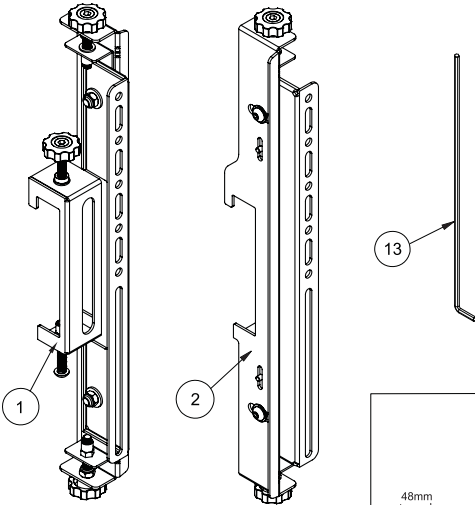
PLEASE KEEP THIS FOR FUTURE REFERENCE

PARTS LIST

REF	PART NAME	QTY
1	INTERFACE ARM - LEFT	1
2	INTERFACE ARM - RIGHT	1
3	M6 x 16mm SCREW	4
4	M6 x 25mm SCREW	4
5	M6 x 40mm SCREW	4
6	WASHER	4
7	M8 x 16mm SCREW	4
8	M8 x 25mm SCREW	4
9	M8 x 40mm SCREW	4
10	5mm SPACER	4
11	13mm SPACER	4
12	24mm SPACER	4
13	5A/6 HEX KEY	1

Designed to work in conjunction with B-Tech's System X range

PRODUCT DIMENSIONS



B-TECH AUDIO VIDEO MOUNTS

HEAD OFFICE

B-Tech International Limited

Bennett House, Long March, Daventry, Northants., NN11 4NR, UK

Email: info@btechavmounts.com

©2015 B-Tech International Limited. All rights reserved, B-Tech Audio Video Mounts is a division of B-Tech International Limited, B-Tech, Better By Design and System X are registered trademarks of B-Tech International Limited. All other brands and product names are trademarks of their respective owners. Photographs are for illustrative purposes only, E&OE, B-Tech International Ltd, its distributors and dealers are not responsible for damage or injury caused by improper installation, improper use, modifications, installations over the specified weight capacity and/or failure to observe these safety instructions. In such cases, any warranty will expire. It is recommended that this product should only be installed by a qualified professional / installer. B-Tech does not claim any liability for any difficulties that may arise from the interpretation of information contained in these instructions. Failure to mount this product correctly may lead to serious injury and/or death. Please check carefully to make sure there are no missing or defective parts - defective parts must never be used. In the event of missing and/or defective parts, or technical questions, please contact an authorised dealer.

www.btechavmounts.com

AMA-BT8390-VESA400MAF-V1,1-PROBX-0915-45 Made in Vietnam

Community Registered Design No: 002741256-0026